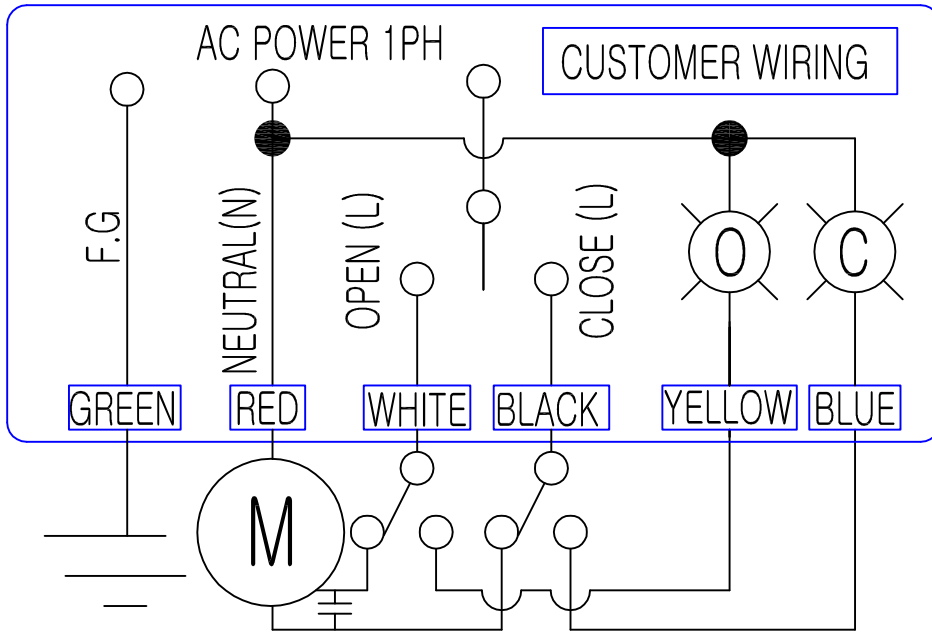


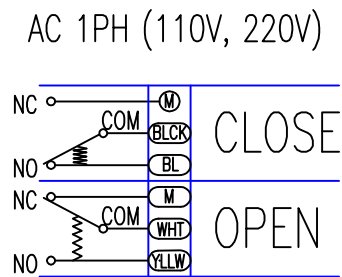
Electric actuator / Wiring / KE002

REV.NO.	REVISION DESCRIPTION	DRAWN / DATE	APPROVED / DATE
△	최초작성	노을아/15.03.18	/



AC 1PH (110V, 220V)
DC (24V)

Switch Wiring

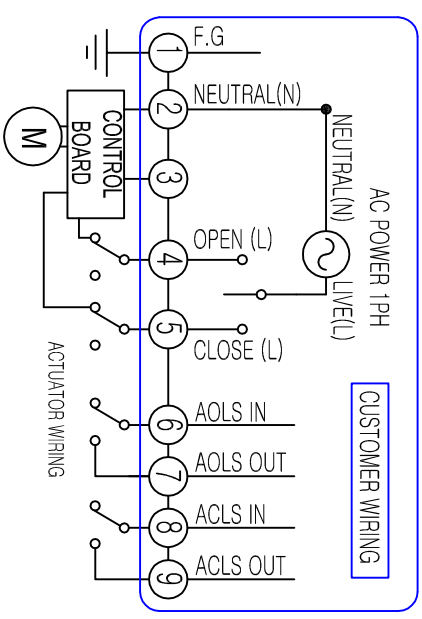


LIMIT SWITCH OPERATION

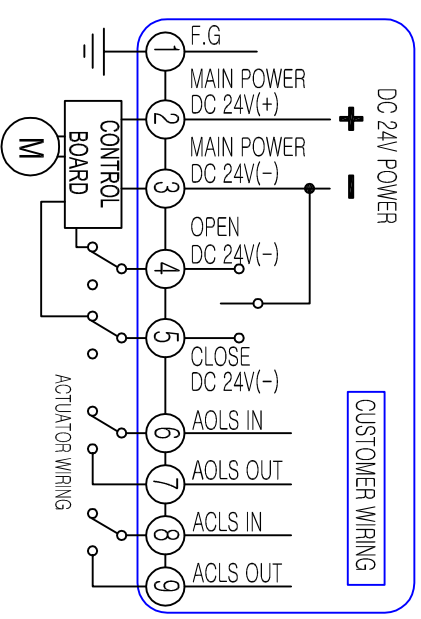
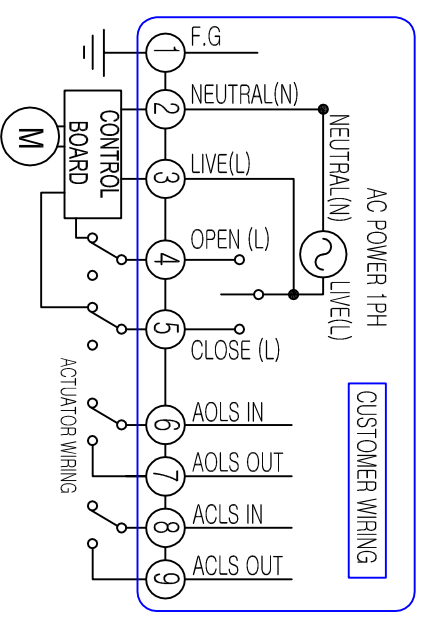
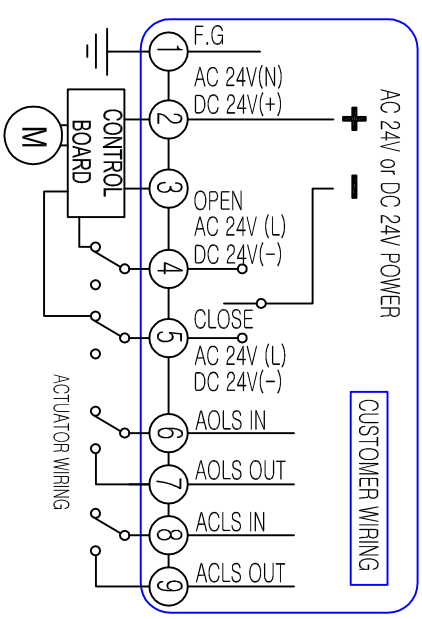
SWITCH	CLOSE	← INTERMEDIATE →	OPEN
CLS COM-NC		█	
CLS COM-NO	█		
OLS COM-NC		█	
OLS COM-NO			█

PRODUCT NAME Electric actuator		KOSAPLUS Co.,Ltd <small>KOREA</small>	
MODEL KE002		TITLE WIRING	
MATERIAL -	HARDNESS -	DRAWING NO. KE002-WR	REV. 0

Electric actuator / Wiring / KE005

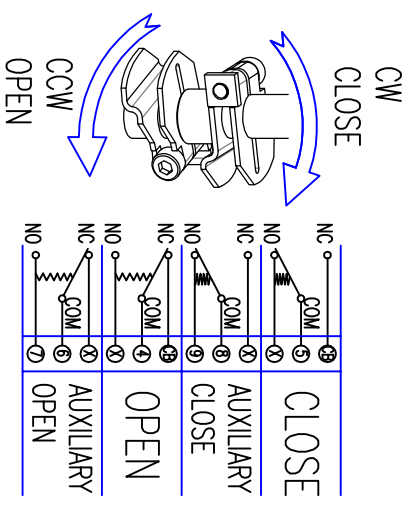


AC 1PH (110V, 220V) / 3Wire
AC 1PH (110V, 220V) / 4Wire



REV. NO.	REVISION DESCRIPTION	DRAWN / DATE	APPROVED / DATE
1	최초작성	노을아 / 14.07.22	/

Switch Wiring



LIMIT SWITCH OPERATION

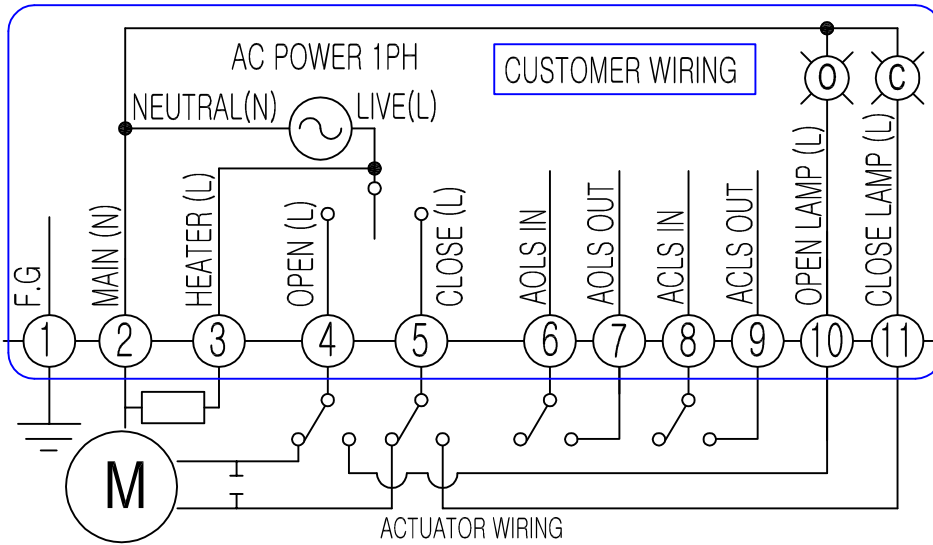
SWITCH	CLOSE	INTERMEDIATE	OPEN
CLS COM-NC			
CLS COM-NO			
ACLS COM-NC			
ACLS COM-NO			
OLS COM-NC			
OLS COM-NO			
AOLS COM-NC			
AOLS COM-NO			

****NOTE.**
1. 3 Wire (no heater) / 4 Wire (heater)

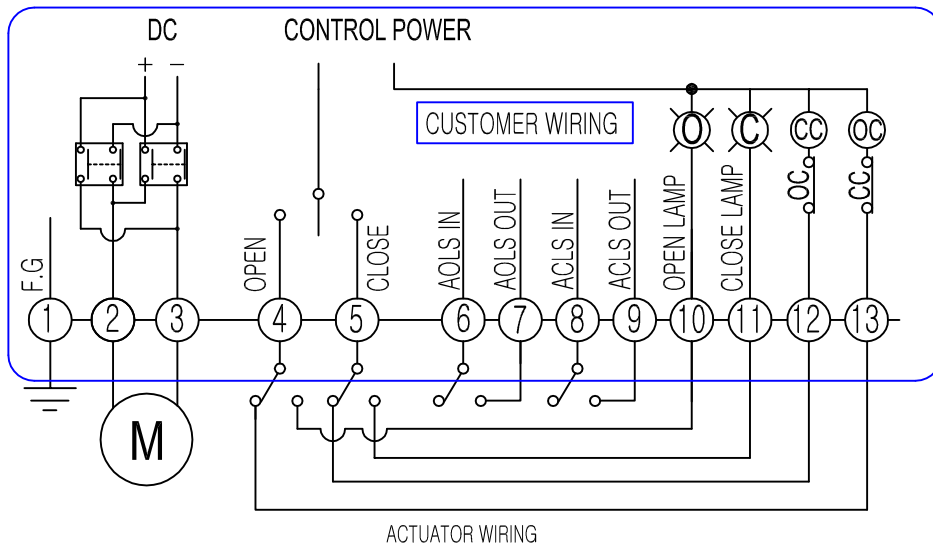
PRODUCT NAME Electric actuator		KOSAPLUS Co., Ltd	
MODEL KE005	TITLE WIRING	REV. 0	
MATERIAL -	HARDNESS -	DRAWING NO. KE005-WR	

Electric actuator / Wiring / KE008

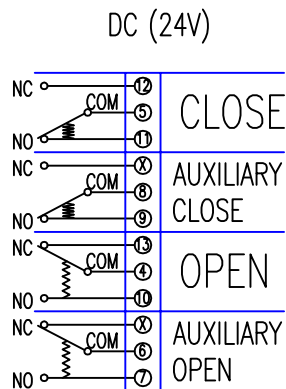
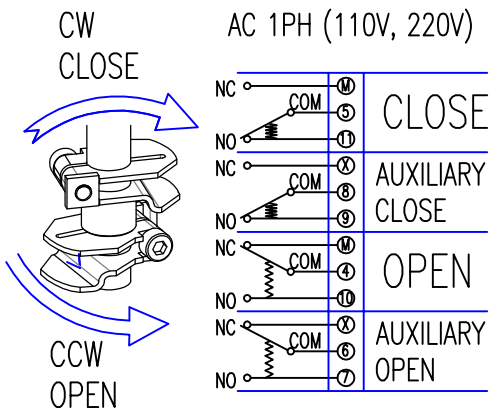
REV.NO.	REVISION DESCRIPTION	DRAWN / DATE	APPROVED / DATE
△	최초작성	노을아/14.07.22	/



AC 1PH (110V, 220V)
DC (24V)



Switch Wiring



LIMIT SWITCH OPERATION

SWITCH	CLOSE	← INTERMEDIATE →	OPEN
CLS COM-NC		■	
CLS COM-NO	■		
ACLS COM-NC		■	
ACLS COM-NO	■		
OLS COM-NC		■	
OLS COM-NO			■
AOLS COM-NC		■	
AOLS COM-NO			■

PRODUCT NAME Electric actuator		KOSAPLUS Co.,Ltd <small>KOREA</small>	
MODEL KE008		TITLE WIRING	
MATERIAL -	HARDNESS -	DRAWING NO. KE008-WR	REV. 0