

Electro Pneumatic Positioner KEP10



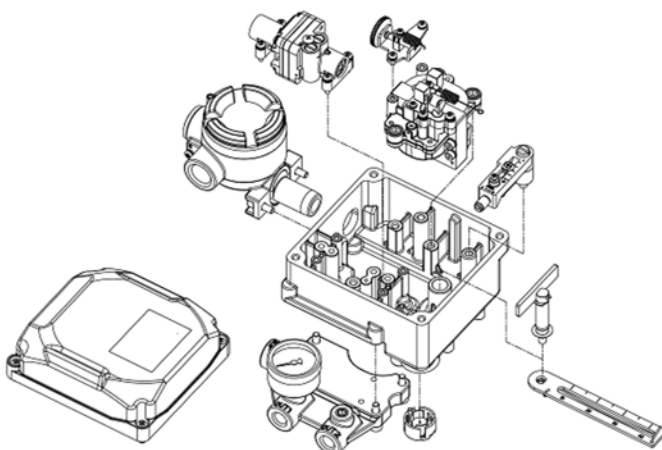
- + Simple zero and span adjustment.
- + Easy maintenance due to built-in module type.
- + Strong to vibrations and No resonance between 5–200Hz.
- + By-pass valve (A/M switch) installed.
- + Air connection part is designed for detachability and it can be changed PF/NPT tapping threads in the field easily.

Type	KEP10L (Linear)		KEP10R (Rotary)	
	Single	Double	Single	Double
Input Signal	4~20mA DC			
Impedance	250±15Ω			
Supply Pressure	0.14~0.7MPa			
Stroke	10~150mm		0~90°	
Air Connection	PT 1/4 (NPT 1/4)			
Gauge Connection	PT 1/8 (NPT 1/8)			
Conduit	PF 1/2 (NPT 1/2)			
Explosion Proof	Non-Explosion Ex dmb IIB T5/T6, Ex dmb IIC T5/T6, Ex ia IIC T5/T6			
Enclosure	IP66			
Ambient Temp.	Operating Temp. -30℃~70℃ (#L:-40℃~70℃/#H:-30℃~120℃)			
	Explosion Temp. -40℃~60℃(T5)/-40℃~40℃(T6)			
Linearity	±1.0% F.S	±2.0% F.S	±1.0% F.S	±2.0% F.S
Sensitivity	±0.2% F.S	±0.5% F.S	±0.2% F.S	±0.5% F.S
Hysteresis	±1.0% F.S			
Repeatability	±0.5% F.S			
Air Consumption	Blow 2.5LPM (Sup=0.14MPa)			
Flow Capacity	Over 80LPM (Sup=0.14MPa)			
Material	Aluminum Diecasting			
Weight	2.8Kg			
-Tested under ambient temperature of 20℃, absolute pressure of 760mmHg, and humidity of 65%.				

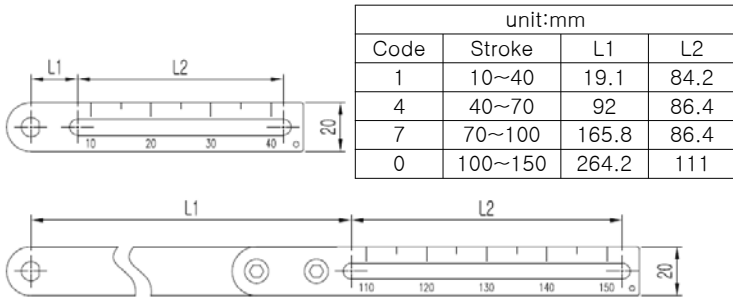
Model code:

KEP a b c d e - f

a.Motion		
L:Linear		
R:Rotary		
b.Explosion		
N:Non		
B:Ex dmb IIB		
C:Ex dmb IIC		
A:Ex ia IIC		
c.Connection		
	Conduit	Air
1:	PF1/2	PT1/4
2:	PF1/2	NPT1/4
3:	NPT1/2	NPT1/4
d.Laver		
Linear	1:	10~40mm
	4:	40~70mm
	7:	70~100mm
	0:	100~150mm
Rotary	6:	M6*34L
	N:	Namur
e.Ambient Temp.		
S:	-30℃~70℃	
L:	-40℃~70℃	
H:	-30℃~120℃	
f.option		
F:	4~20mA Feedback signal	
L:	Limit switch included (2xSPDT)	
2:	Feedback+Limit switch	

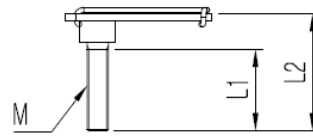


KEP100L Lever



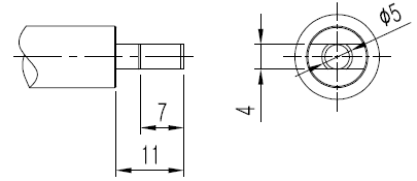
KEP100R Lever

▷ Fork lever type

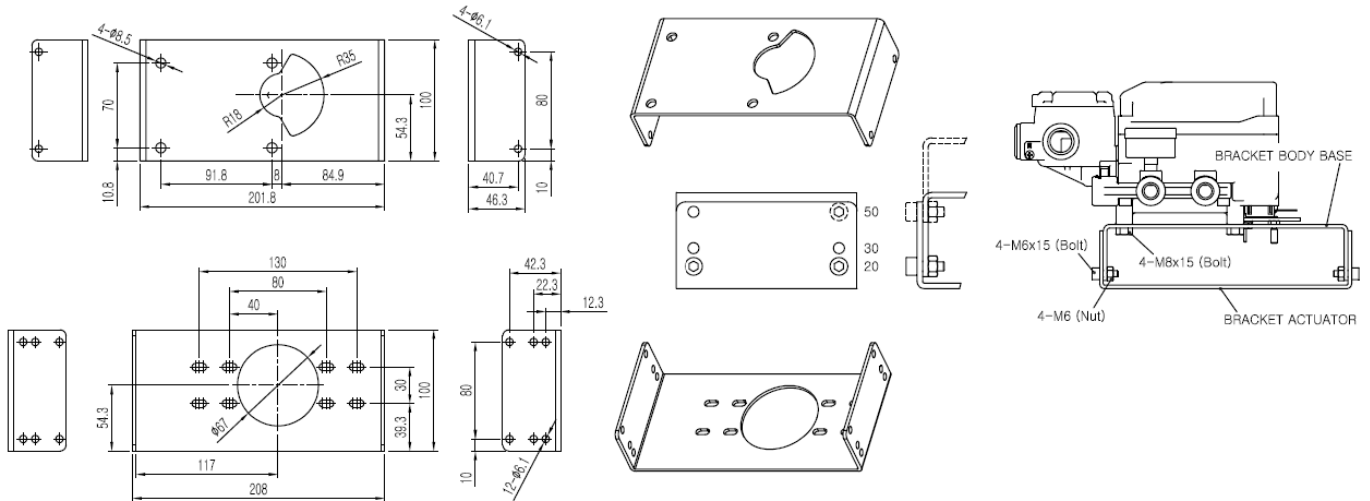


unit:mm			
Code	L1	L2	M
6	23	34	M6

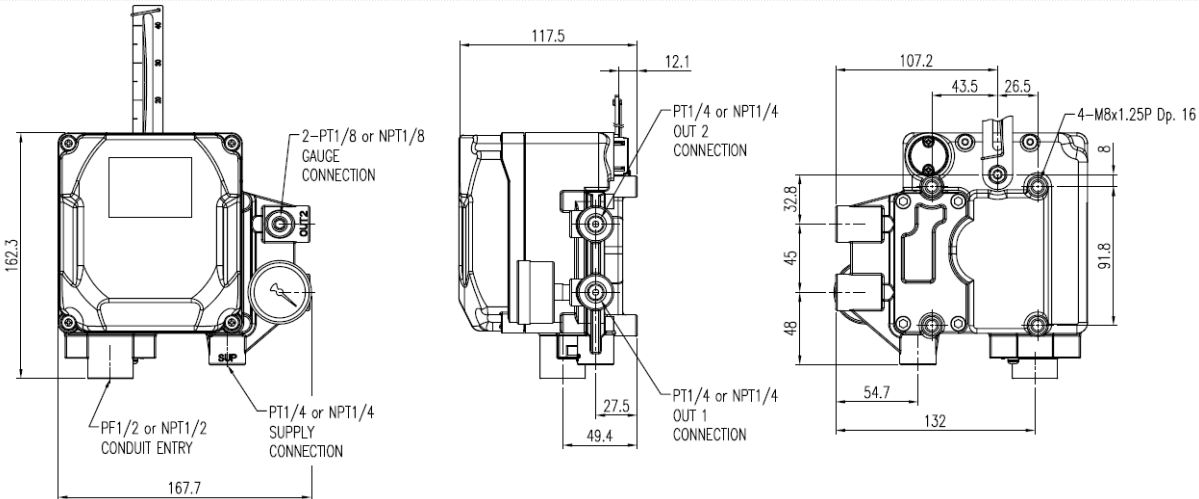
▷ Namur type



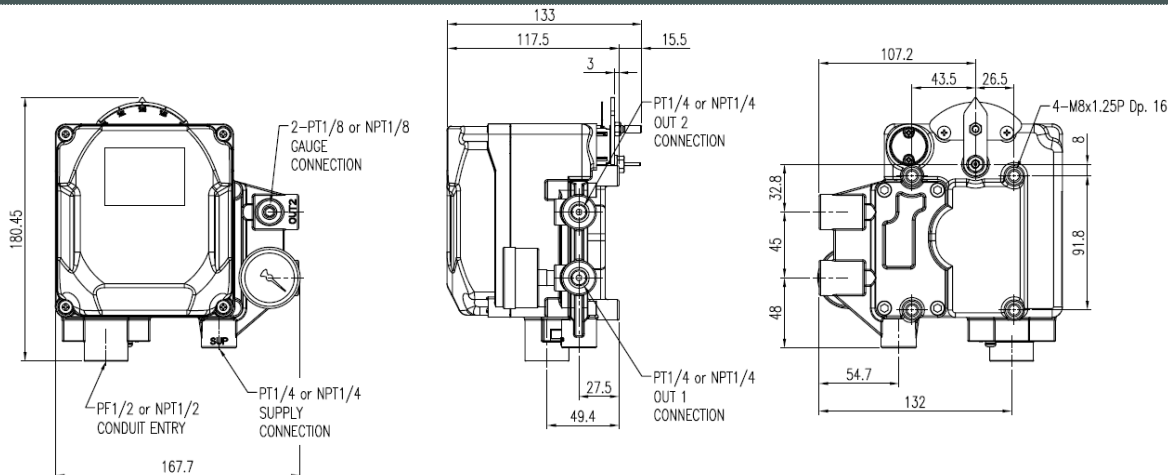
KEP10R Bracket



KEP10L



KEP10R



-Data contained in the Catalog may be subject to change without advance notice.