

# Electric Actuator / Wiring / KE002

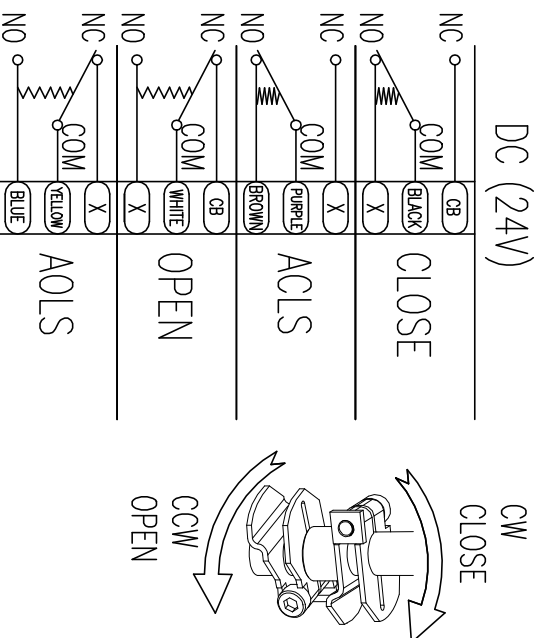
REV.No. DRAWN / DATE APPROVED / DATE

Rocky / 23.04.05 PSKIM / 23.04.05

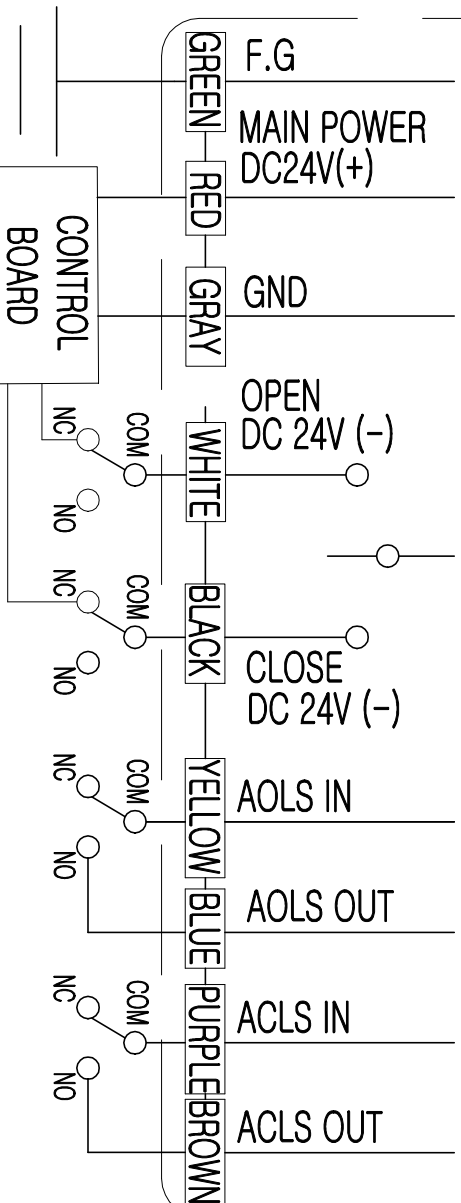
## LIMIT SWITCH OPERATION

| SWITCH      | CLOSE | INTERMEDIATE | OPEN |
|-------------|-------|--------------|------|
| CLS COM-NC  | █     |              |      |
| CLS COM-NO  |       | █            |      |
| CLS COM-NC  |       |              | █    |
| ACLS COM-NO | █     |              |      |
| ACLS COM-NC |       | █            |      |
| ACLS COM-NO |       |              | █    |
| OLS COM-NC  | █     |              |      |
| OLS COM-NO  |       | █            |      |
| OLS COM-NO  |       |              | █    |
| AOLS COM-NC | █     |              |      |
| AOLS COM-NO |       | █            |      |

## SWITCH WIRING (POSITION : FULL CLOSE)



## DC 24V POWER CUSTOMER WIRING

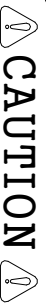


## ACTUATOR WIRING

Adjustable power supply specifications

| DC POWER supply priority | AC12V          | AC24V          |
|--------------------------|----------------|----------------|
|                          | not applicable | not applicable |
|                          | not applicable | not applicable |

CLS : CLOSE LIMIT SWITCH (250VAC , 30VDC 5A)  
 OLS : OPEN LIMIT SWITCH (250VAC , 30VDC 5A)  
 ACLS : AUX. CLOSE LIMIT SWITCH (250VAC , 30VDC 5A)  
 AOLS : AUX. OPEN LIMIT SWITCH (250VAC , 30VDC 5A)



**CAUTION**  
 EACH ACTUATOR SHOULD BE POWERED THROUGH ITS OWN INDIVIDUAL SWITCH OR RELAY CONTACTS TO PREVENT CROSS FEED BETWEEN TWO OR MORE ACTUATOR.

PRODUCT NAME : **KOSAPLUS**  
 Electric Actuator <http://www.kosaplus.com>

TITLE :

KE002 CB3 ON/OFF

REV. 1